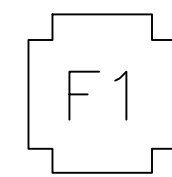
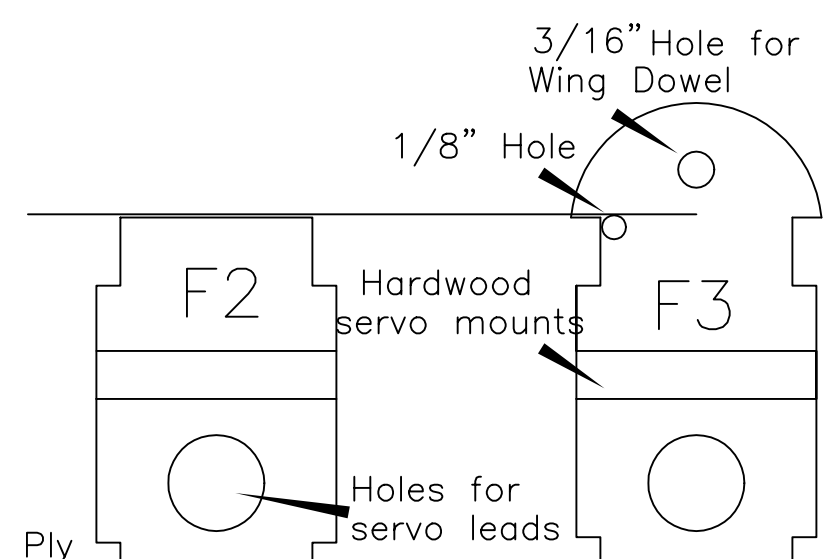


Wind & Wave
Models
CLAIM JUMPER

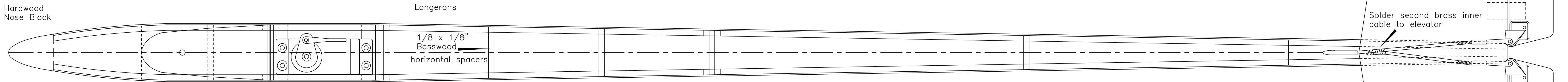
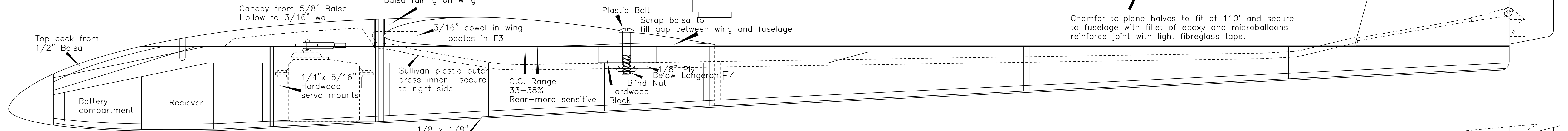
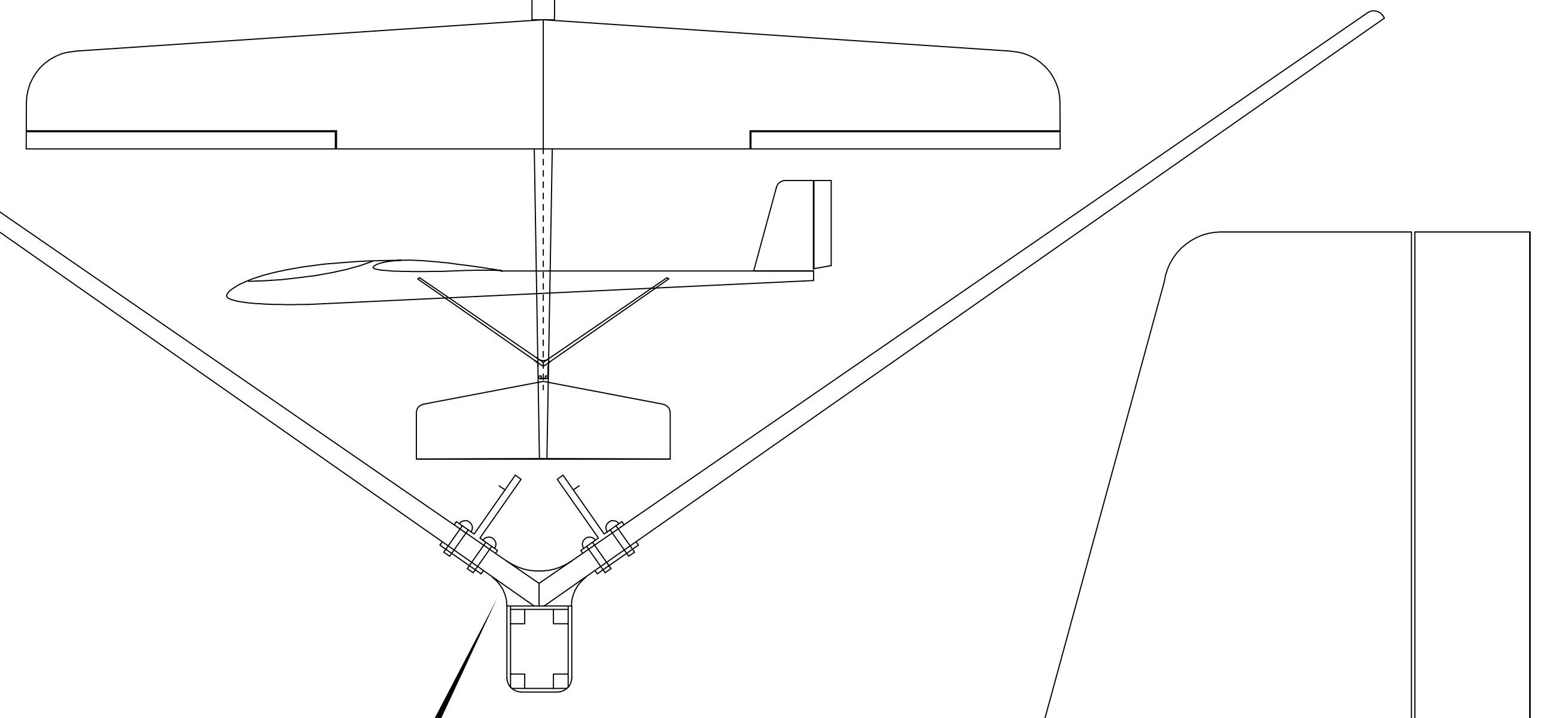
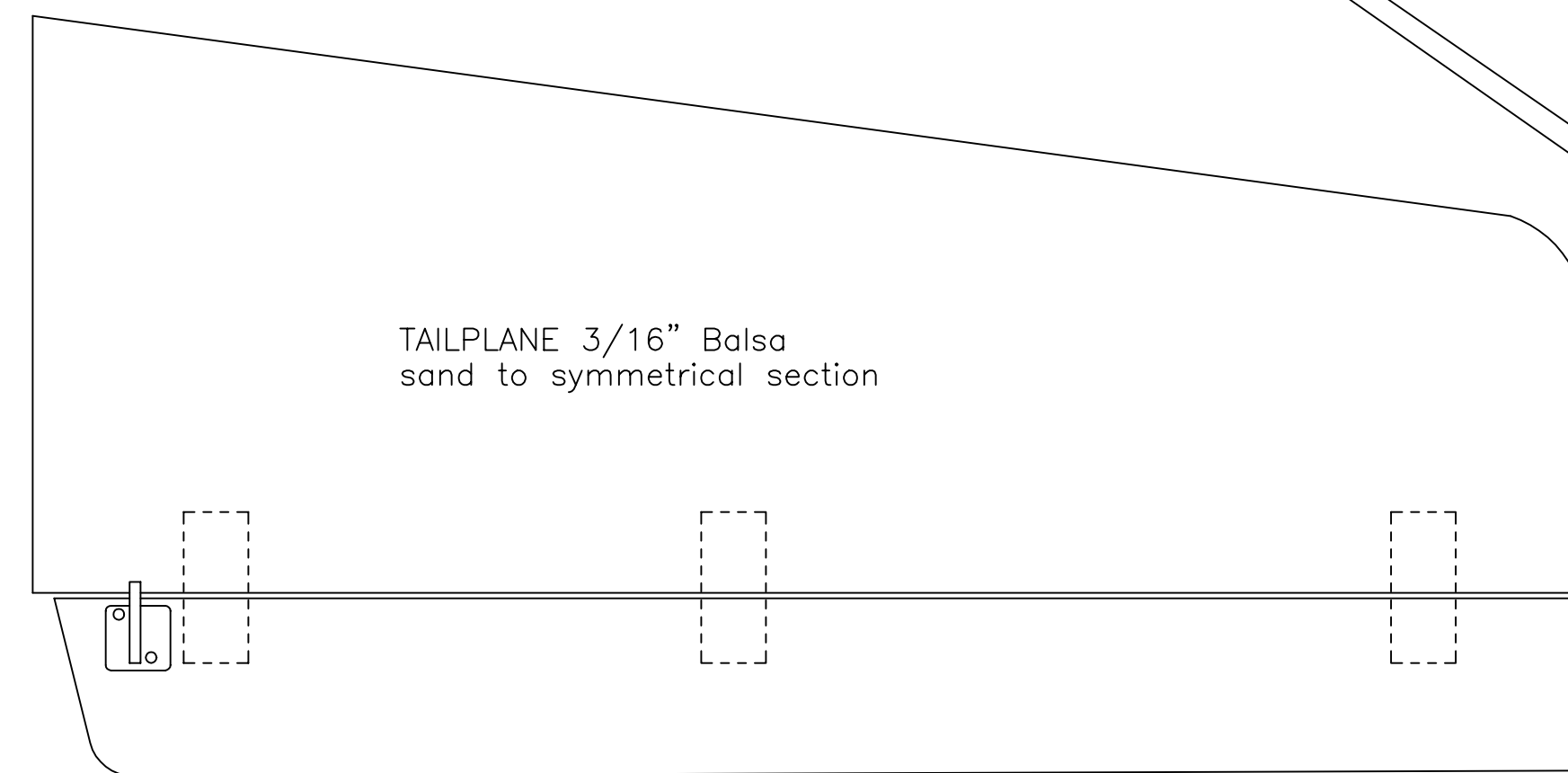
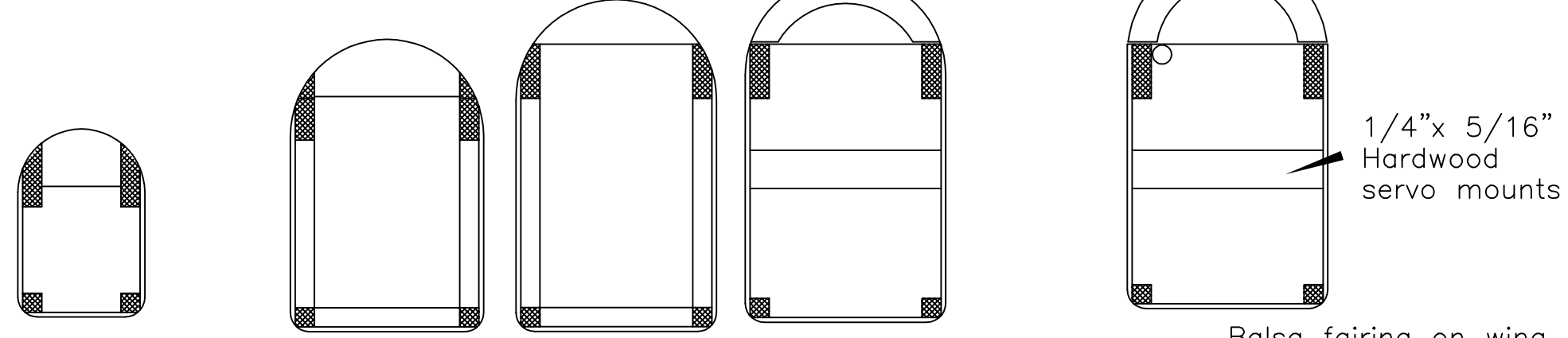
Designed by John O'Sullivan



Formers F1 to F4 1/8" Ply



Sections through fuselage



Cut sides from 1/32" plywood. Add longerons, longeron doubler and vertical uprights. At Formers F2, F3 and F4 two uprights are used one in front and one at the back of each former. This adds considerable strength to the fuselage.

TOP 1/32" Plywood

BOTTOM 1/32" Plywood

Solder second brass inner cable to elevator