

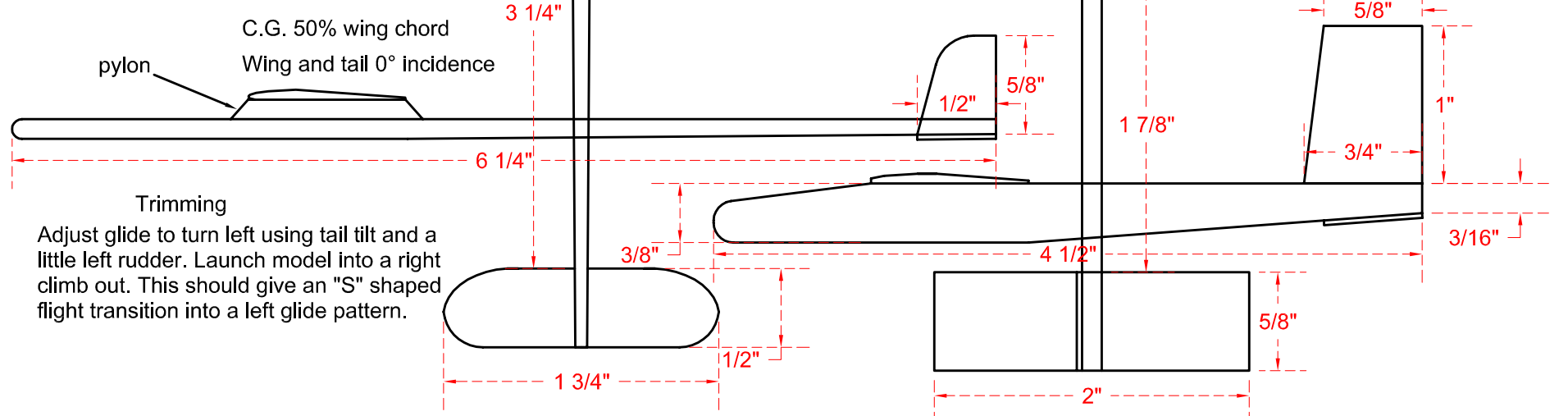
Standard Whipper Whiz

Fuselage 1/8" x 3/8" x 4 1/2" balsa
 Wing 1" x 6" x 1/16" balsa
 Tail 1/16" balsa Fin -Thin Card or 1/32" balsa
 C.G. approx. 30% chord
 Dihedral 1/2"

Stretched Whipper Whiz

Fuselage 1/8" square taper to 3/32" square
 pylon 1/8" square
 Chose hard springy balsa or soft balsa with thin CF tows on top, bottom and sides (just a few strands -fix with cyano)

C.G. 50% wing chord
 Wing and tail 0° incidence



Trimming
 Adjust glide to turn left using tail tilt and a little left rudder. Launch model into a right climb out. This should give an "S" shaped flight transition into a left glide pattern.

Whipper Whiz

Micro F/F HLG